

## Handling System for Hood type Pre-wash Infill Top with Bowl Right to Left, 1000mm

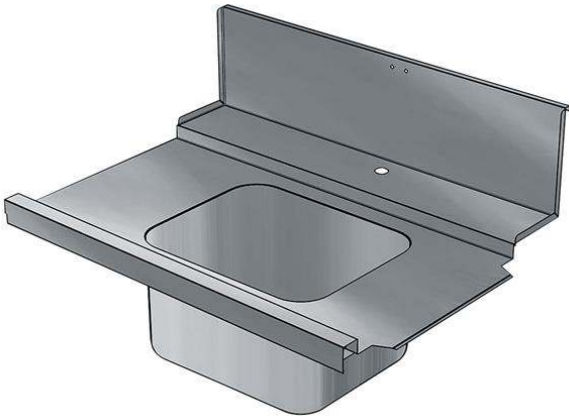
ITEM # \_\_\_\_\_

MODEL # \_\_\_\_\_

NAME # \_\_\_\_\_

SIS # \_\_\_\_\_

AIA # \_\_\_\_\_



865317 (BHHP10R)

Prewash infill top with bowl,  
right>left, 1000 mm

### Short Form Specification

Item No. \_\_\_\_\_

For hood type dishwashers. Constructed in 304 AISI stainless steel with backsplash mm250h. Bowl size mm500x400x250h with overflow pipe and drain hole. Basket direction: from right to left.

### Main Features

- Designed for 500x500 mm dishwashing racks.
- To be secured to the dishwasher and fitted to the receiving and sorting tables at the other end.

### Construction

- Deep anti-drip profiles completely folded with lower edge for safe and easy cleaning.
- All surfaces smooth with polished finish.
- 304 AISI stainless steel construction throughout.
- Included splashback to prevent water spatter.

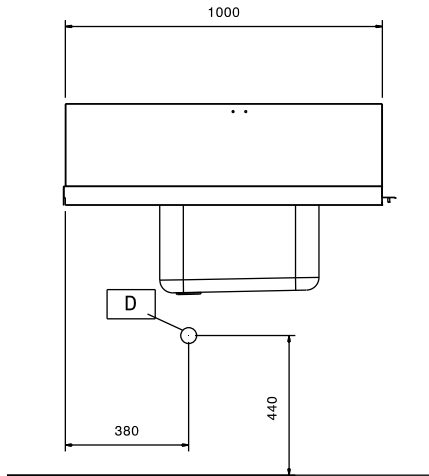
### Optional Accessories

- DOUBLE HOLE DECK MOUNTED ELBOW OPERATED MIXING TEMP. FAUCET WITH PRE-RINSE UNIT PNC 855379
- DECK MOUNTED MIXING TEMPERATURE PRE-RINSE UNIT PNC 855380
- Wall mounted mixing temperature pre-rinse unit PNC 855381
- Single hole deck mounted mixing temperature pre-rinse unit PNC 855385
- Single hole deck mounted elbow operated mixing temperature faucet with pre-rinse unit PNC 855386
- Single hole deck mounted riser add-on mixing temperature faucet with pre-rinse unit PNC 855389
- Floor fastening kit for 2 square legs PNC 865386
- Single plastic drain syphon 2" for sinks PNC 895313

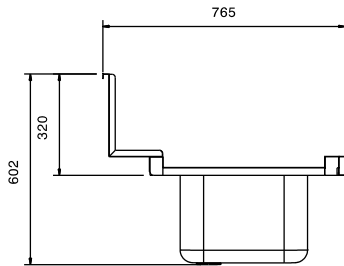
APPROVAL: \_\_\_\_\_

## Handling System for Hood type Pre-wash Infill Top with Bowl Right to Left, 1000mm

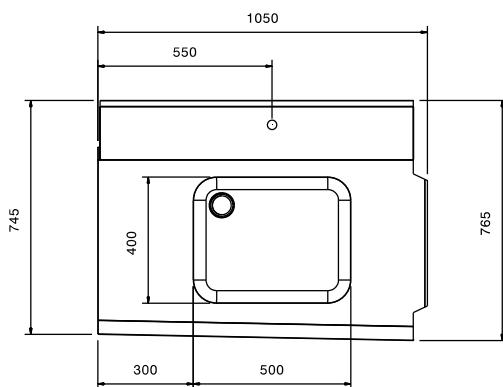
**Front**



**Side**



**Top**



### Key Information:

External dimensions, Width:

865317 (BHHP10R) 1050 mm

External dimensions, Depth: 765 mm

External dimensions, Height: 600 mm

Net weight: 8 kg

Basin dimensions: 500x400x300h

Feeding direction: from Right to Left